



CLIMAFLEX® SPIRAL

CLIMAFLEX® SPIRAL is available in interior pipe diameters of 125 mm, 150 mm and 180 mm. The insulation layer consists of a 16 mm thick PE foam wall of tried and tested NMC quality. A range of different angles and sleeves guarantees that installation can be adapted to the relevant needs.

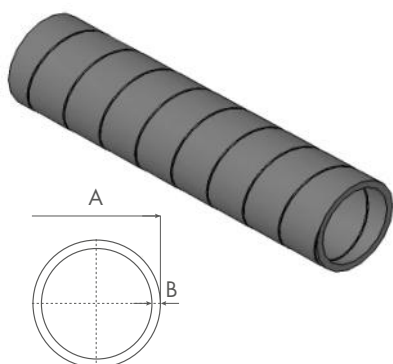
Product features

- Inside diameter: 125 mm, 150 mm, 180 mm
- Wall thickness: 16 mm
- Length supplied: 2 m
- Colour: Grey
- Thermal conductivity: $\leq 0,048$ W/mK at 40°C
- Fire class: Euroclass E (EN 13501-1)
- Light
- Non-air permeable
- Corrosion-free
- Acoustic insulation
- Not UV-resistant
- 100% recyclable

www.nmc-insulation.com

NMC sa
Gert-Noël-Strasse B-4731 Eynatten Belgium
Phone: +32 87 85 85 00
Fax: +32 87 85 83 55
E-Mail: info@nmc.eu





NMC has developed a protected technology for the spiral manufacture of large insulation tubes, named CLIMAFLEX® SPIRAL. The main area of application for this thermoplastic foam product lies in self-supporting ventilation pipes for interior use.

Its low weight, its corrosion resistance and its good thermal and acoustic insulation, coupled with the fact that it is simple and quick to fit, make CLIMAFLEX® SPIRAL a worthwhile alternative to conventional ventilation pipes.

Type	Thickness mm	Length mm	Packaging unit	
			pcs	m
125 x 16	16 ±1	2000 ±30	8	16
150 x 16	16 ±1	2000 ±30	6	12
160 x 16	16 ±1	2000 ±30	6	12
180 x 16	16 ±1	2000 ±30	4	8

CLIMAFLEX® SPIRAL BEND

Curve 30°



Curve 45°



Curve 90°



Type	Ø 125	Ø 150	Ø 160	Ø 180
	Packaging unit	Packaging unit	Packaging unit	Packaging unit
Curve 30°	40	30	24	-
Curve 45°	32	24	20	12
Curve 90°	20	12	12	8