

## INSUL-TUBE® SUPPORT & COLLAR

---

INSUL-TUBE® SUPPORT & COLLAR an insulating pipe holder consisting of a PIR shell with black elastomer foam joints, covered with a black PVC tape. Supplied with the matching pipe clips.

- To prevent condensation, corrosion and energy losses in locations where pipes are fixed.

### Product features

- Thermal conductivity (EN ISO 8497): 0,025 W/mK at 0°C
- Temperature range: -45°C to +105°C (EN 14707)
- Water vapour diffusion resistance: (EN 13469):  $\geq 10.000 \mu$
- PIR core density: 80-120 kg/m<sup>3</sup>
- Length: 50-100 mm

### Application area

- Heating & plumbing
- Air conditioning
- Refrigeration
- Cold water applications



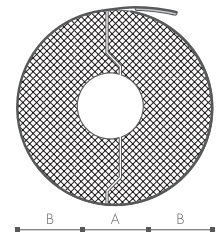
#### **NMC (uk) Ltd.**

Tafarnaubach Industrial Estate · UK - NP22 3AA Tredegar, South Wales

Phone: +44 1495 713266 · Fax: +44 1495 713277

Email: [enquiries@nmc-uk.com](mailto:enquiries@nmc-uk.com)

[www.nmc-insulation.com](http://www.nmc-insulation.com)

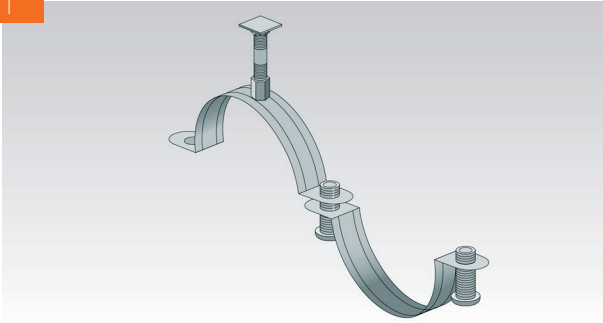


## Product range

Copper CU		Steel FE			Synthetics	Type	A mm	B mm	Packaging unit / pcs
NW DN	outer Ø mm	NW DN	outer Ø mm    inch		outer Ø mm				
8	10	6	10,2	1/8	-	10x13	10	13	96
10	12	-	-	-	-	12x13	12	13	96
10	15	8	13,5	1/4	-	15x13	15	13	80
15	18	10	17,2	3/8	16	19x13	19	13	80
20	22	15	21,3	1/2	20	22x13	22	13	60
25	28	20	26,9	3/4	25	28x13	28	13	60
-	-	-	-	1	32	32x13	32	13	44
32	35	25	33,7	1	32	35x13	35	13	44
40	42	32	42,4	1 1/4	40	42x13	42	13	44
-	-	40	48,3	1 1/2	-	48x13	48	13	44
50	54	-	54	-	50	54x13	54	13	32
-	64	-	63,5	-	63	64x13	64	13	24
-	70	-	70	-	-	70x13	70	13	24
65	76,1	65	76,1	2 1/2	-	76x13	76	13	24
-	80	-	-	-	-	80x13	80	13	20
80	88,9	80	88,9	3	-	89x13	89	13	8
8	10	6	10,2	1/8	-	10x19	10	19	60
10	12	-	-	-	-	12x19	12	19	60
10	15	8	13,5	1/4	-	15x19	15	19	60
15	18	10	17,2	3/8	16	19x19	19	19	50
20	22	15	21,3	1/2	20	22x19	22	19	50
25	28	20	26,9	3/4	25	28x19	28	19	40
32	35	25	33,7	1	32	35x19	35	19	32
40	42	32	42,4	1 1/4	40	42x19	42	19	32
-	-	40	48,3	1 1/2	-	48x19	48	19	24
50	54	-	54	-	50	54x19	54	19	24
-	64	-	63,5	-	63	64x19	64	19	24
-	70	-	70	-	-	70x19	70	19	20
65	76,1	65	76,1	2 1/2	-	76x19	76	19	12
-	80	-	-	-	-	80x19	80	19	12
80	88,9	80	88,9	3	-	89x19	89	19	12
10	12	-	-	-	-	12x25	12	25	60
10	15	8	13,5	1/4	-	15x25	15	25	32
15	18	10	17,2	3/8	16	19x25	19	25	32
20	22	15	21,3	1/2	20	22x25	22	25	32
25	28	20	26,9	3/4	25	28x25	28	25	32
32	35	25	33,7	1	32	35x25	35	25	24
40	42	32	42,4	1 1/4	40	42x25	42	25	24
50	54	-	54	-	50	54x25	54	25	24
20	22	15	21,3	1/2	20	22x32	22	32	24
25	28	20	26,9	3/4	25	28x32	28	32	24
32	35	25	33,7	1	32	35x32	35	32	24
40	42	32	42,4	1 1/4	40	42x32	42	32	15
50	54	-	54	-	50	54x32	54	32	12
-	-	50	60,3	2	-	60x32	60	32	12
65	76,1	65	76,1	2 1/2	-	76x32	76	32	10

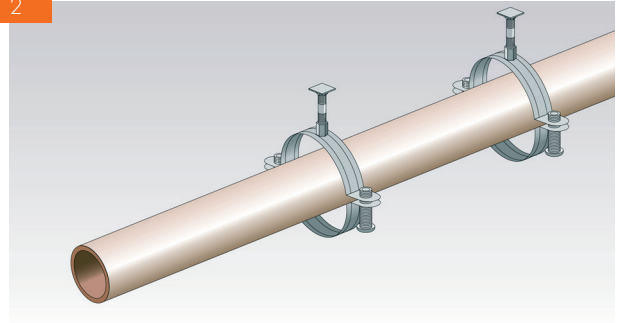
## Instructions for fitting

1



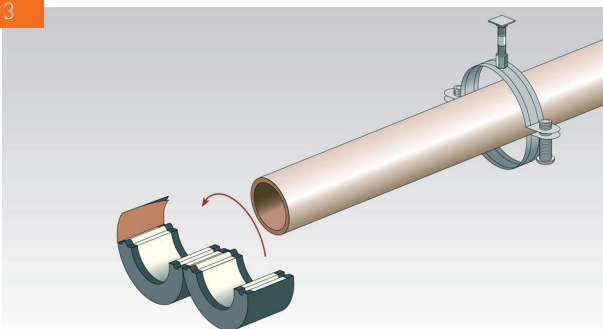
Ceiling mounting and joining of clip elements.

2



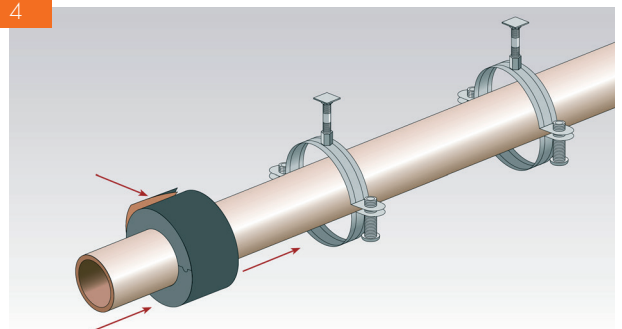
Place pipe in clips in position.

3



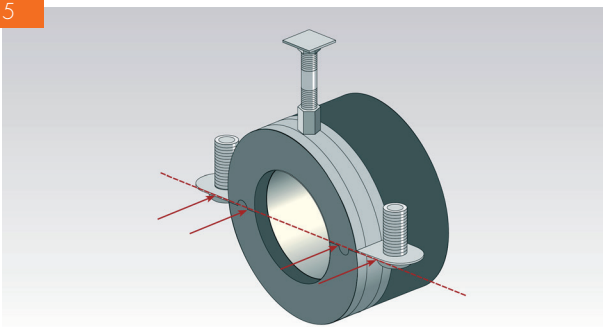
Fix INSUL-TUBE® SUPPORT & COLLAR pipe holder around the pipe.

4



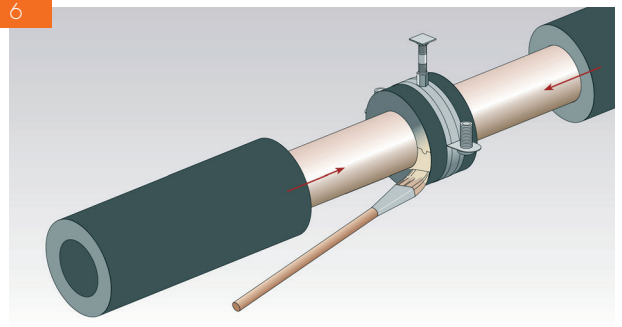
Affix overlapping protective film. Insert INSUL-TUBE® SUPPORT & COLLAR centrally into / under the pipe clips.

5



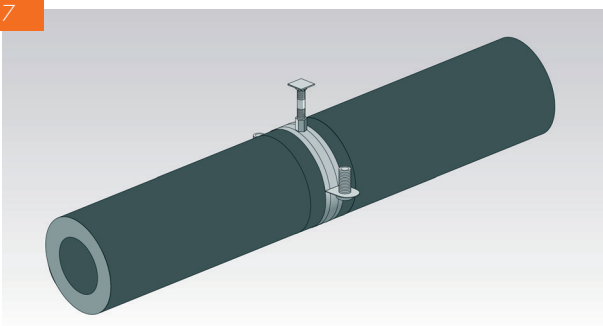
Pipe holder seam lies horizontally at the same height as the clip screws.

6



Apply a thin coat of NMC-Fix® adhesive to both sides of the pipe holder and the pipe surfaces, then stick together after evaporation time.

7



Assembly completion after secure, diffusion-free bonding.