



## INSUL-TUBE® COIL

INSUL-TUBE® COIL is a flexible insulating material made of closed-cell foam based on rubber available as a coil.

- Due to the very good thermal insulation properties, the energy input for the operation of air-conditioning and refrigeration systems as well as sanitary and heating installations can be significantly reduced
- Improvement of the economic and ecological efficiency of the entire unit
- Prevention of condensation
- Sound absorbing insulation for acoustic comfort
- Minimal cutting scrap
- Minimal edge fittings

### Product features

- Thermal conductivity (EN ISO 8497):  
0,031 W/mK to -30°C  
0,034 W/mK to 0°C  
0,038 W/mK to 40°C  
0,041 W/mK to 70°C
- Fire performance: B<sub>s</sub>s3d0 (EN 13501-1)
- Temperature range: -30°C to 110°C (EN 14707)
- Water vapour diffusion resistance (EN 13469): 10.000μ
- Tolerances according to EN 14304 Table 1
- See website for Declaration of Performance: [www.nmc-insulation.com](http://www.nmc-insulation.com)

### Application area

- Heating and plumbing
- Air conditioning
- Cooling systems
- Ship approval



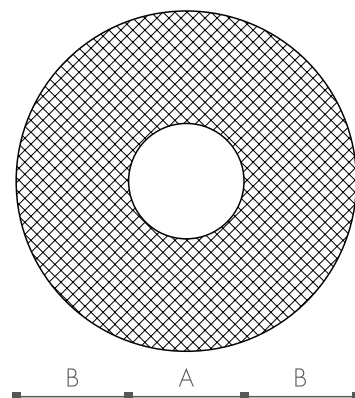
#### NMC (uk) Ltd.

Tafarnaubach Industrial Estate · UK - NP22 3AA Tredegar, South Wales

Phone: +44 1495 713266 · Fax: +44 1495 713277

Email: [enquiries@nmc-uk.com](mailto:enquiries@nmc-uk.com)

[www.nmc-insulation.com](http://www.nmc-insulation.com)



## Product range

Copper CU		Steel FE			Synthetics MSV & PEX	Type	A mm	B mm	Length m	Packaging unit
NW DN	outer Ø mm	NW DN	outer Ø mm	inch	outer Ø mm					
4	6	-	-	-	-	6 x 6	6	6	50m	50m
6	8	-	-	-	-	8 x 6	8	6	48m	48m
8	10	6	10,2	1/8	-	10 x 6	10	6	46m	46m
10	12	-	-	-	-	12 x 6	12	6	40m	40m
10	15	8	13,5	1/4	-	15 x 6	15	6	38m	38m
15	18	10	17,2	3/8	16	18 x 6	18	6	30m	30m
20	22	15	21,3	1/2	20	22 x 6	22	6	23m	23m
25	28	20	26,9	3/4	25	28 x 6	28	6	20m	20m
4	6	-	-	-	-	6 x 9	6	9	40m	40m
6	8	-	-	-	-	8 x 9	8	9	37m	37m
8	10	6	10,2	1/8	-	10 x 9	10	9	34m	34m
10	12	-	-	-	-	12 x 9	12	9	31m	31m
10	15	8	13,5	1/4	-	15 x 9	15	9	27m	27m
15	18	10	17,2	3/8	16	18 x 9	18	9	23m	23m
20	22	15	21,3	1/2	20	22 x 9	22	9	19m	19m
25	28	20	26,9	3/4	25	28 x 9	28	9	14m	14m
4	6	-	-	-	-	6 x 13	6	13	26m	26m
6	8	6	10,2	1/8	-	8 x 13	8	13	26m	26m
8	10	6	10,2	1/8	-	10 x 13	10	13	23m	23m
10	12	-	-	-	-	12 x 13	12	13	18m	18m
10	15	8	13,5	1/4	-	15 x 13	15	13	17m	17m
15	18	10	17,2	3/8	16	18 x 13	18	13	15m	15m
20	22	15	21,3	1/2	20	22 x 13	22	13	14m	14m
25	28	20	26,9	3/4	25	28 x 13	28	13	10m	10m